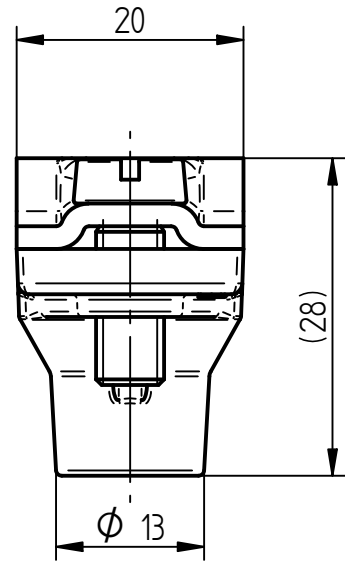
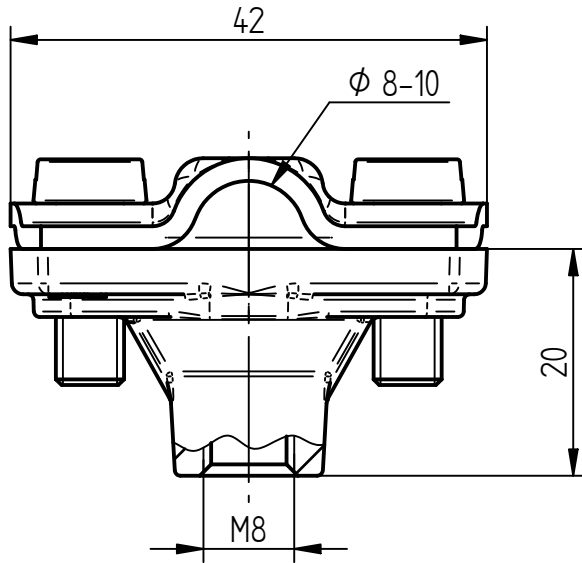


Product Specification

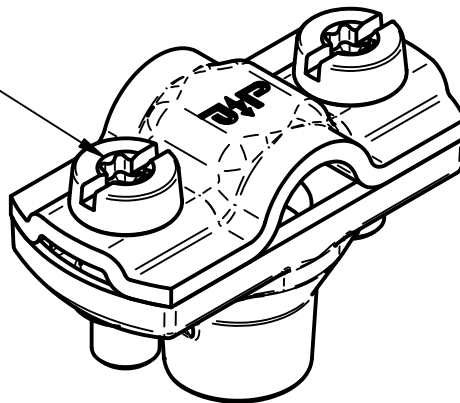
Ord.-No.: **110 071**

Specification: Conductor fastener, ZP-St/tZn, Ø 8-10 mm with thread M8

Performance: Conductor fastener according to DIN EN 62561-4 for fixing round conductors to walls.



Combo Torx-Slot
TX25-SZ2



Material of base	Zinc die casting ZP 5
Material of fastener	St/tZn
Height of conductor leading	20 mm
Fit of conductor fastener	Ø 8-10 mm
Fixing of conductor fastener	M8
Weight	45 g
Standard reference	DIN EN 62561-4
Packing unit	100 units